



Properties

- 3.5 mm slot width
- Very fast response
- DC, 3-wire and 4-wire switching output versions
- Flexible leads and cable versions

Technical Data

For detailed data and product description refer to the data sheets at www.pepperl-fuchs.com

General Data

Slot width	3.5 mm
Depth of immersion (lateral)	5 ... 7 mm
Operating voltage	10 ... 30 V DC
No-load supply current	≤ 15 mA
Reverse polarity protection	✓
Operating current	0 ... 100 mA
Short-circuit protection	pulsing
Housing material	PBT
Protection degree	IP67

Model Number

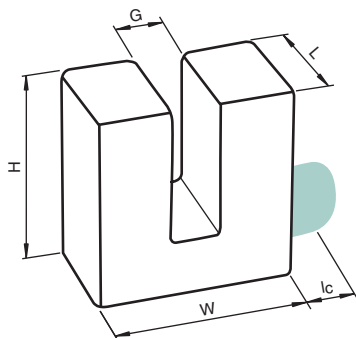
	green = preferred type	SB3,5-E2	SB3,5-G-E2	SB3,5-A2
Switching element function	PNP NO/NC PNP NO	●	●	●
Switching frequency	0 ... 2000 Hz 0 ... 3000 Hz	●	●	●
Indication of the switching state	LED, yellow	●	●	●
Ambient temperature	-25 ... 70 °C (-13 ... 158 °F) -25 ... 85 °C (-13 ... 185 °F)	●	●	●
Connection type	cable PVC, 500 mm flexible leads LIY, 500 mm flexible leads PVC, 135 mm	●	●	●

Approvals and Certificates

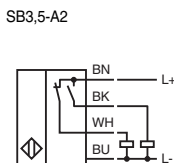
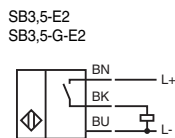
UL approval	cULus Listed, General Purpose	●	●	●
CSA approval	cCSAus Listed, General Purpose	●	●	●
CCC approval	Products with a maximum operating voltage of ≤36 V do not bear a CCC marking because they do not require approval.			

Dimensions

Length L [mm]	10
Width W [mm]	19
Height H [mm]	15
Slot width G [mm]	3.5
Connector area l _c [mm]	0



Electrical Connection



Date of issue 04/08/2015

Refer to "General Notes Relating to Pepperl+Fuchs Product Information".

Pepperl+Fuchs Group
www.pepperl-fuchs.com

USA: +1 330 486 0001
fa-info@us.pepperl-fuchs.com

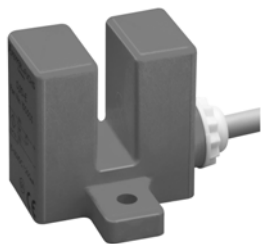
Germany: +49 621 776 4411
fa-info@de.pepperl-fuchs.com

Singapore: +65 6779 9091
fa-info@sg.pepperl-fuchs.com

Courtesy of Steven Engineering, Inc - (800) 258-9200 - sales@steveng.com - www.stevenengineering.com



1
.1.3



Properties

- 10 mm slot width
- Very fast response
- DC, 3-wire switching output
- Cable version

Technical Data

For detailed data and product description refer to the data sheets at www.pepperl-fuchs.com

General Data

Slot width	10 mm
Depth of immersion (lateral)	13.5 ... 16.5 mm
Operating voltage	10 ... 30 V DC
No-load supply current	≤ 15 mA
Reverse polarity protection	✓
Switching frequency	0 ... 1000 Hz
Operating current	0 ... 200 mA
Short-circuit protection	pulsing
Ambient temperature	-25 ... 70 °C (-13 ... 158 °F)
Housing material	PBT
Protection degree	IP67
Connection type	cable PVC , 2 m



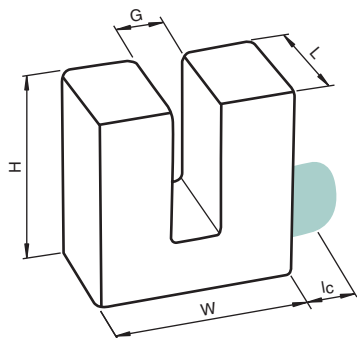
Model Number		SJ10-E	SJ10-E2	SJ10-E3
Switching element function	NPN NO	●		
	PNP NO		●	
	PNP NC			●

Approvals and Certificates

UL approval	cULus Listed, General Purpose	●	●	●
CSA approval	cCSAus Listed, General Purpose	●	●	●
CCC approval	Products with a maximum operating voltage of ≤36 V do not bear a CCC marking because they do not require approval.			

Dimensions

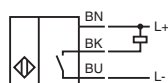
Length L [mm]	25
Width W [mm]	44
Height H [mm]	45
Slot width G [mm]	10
Connector area l _c [mm]	6 (PG9)



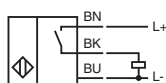
Electrical Connection



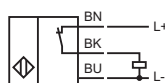
SJ10-E



SJ10-E2



SJ10-E3





Properties

- 15 mm slot width
- Fast response
- DC, 3-wire and 4-wire switching output versions
- Cable and connector versions

Technical Data

For detailed data and product description refer to the data sheets at www.pepperl-fuchs.com

General Data

Slot width	15 mm
Depth of immersion (lateral)	17 ... 20 mm
Operating voltage	10 ... 30 V DC
No-load supply current	≤ 20 mA
Reverse polarity protection	✓
Switching frequency	0 ... 500 Hz
Operating current	0 ... 200 mA
Short-circuit protection	pulsing
Ambient temperature	-25 ... 70 °C (-13 ... 158 °F)
Housing material	PBT
Protection degree	IP67

Model Number

			SJ15-E	SJ15-E2	SJ15-A	SJ15-A2	SJ15-A2-V1
Switching element function	NPN NO/NC				●		
	NPN NO	●					
	PNP NO/NC				●		●
	PNP NO			●			
Connection type	Device connector M12 x 1, 4-pin						●
	cable PVC, 2 m	●	●	●	●		

Approvals and Certificates

UL approval	cULus Listed, General Purpose	●	●	●	●	●
CSA approval	cCSAus Listed, General Purpose	●	●	●	●	●
CCC approval	Products with a maximum operating voltage of ≤36 V do not bear a CCC marking because they do not require approval.					

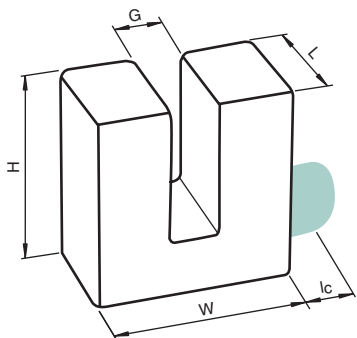
Dimensions

Length L [mm]		30
Width W [mm]		48
Height H [mm]		60
Slot width G [mm]		15
Connector area l _c [mm]		0 12

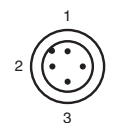
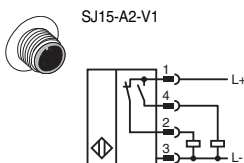
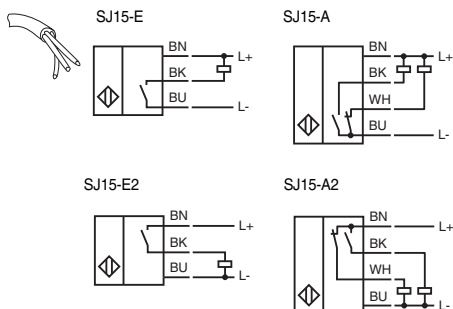
Accessories This and more accessories can be found in chapter 10

See pages from 972 ... for cordsets See pages 1068 ... for mounting aids

- V1-G-BK** 4-pin, M12 female field-attachable connector
- V1-W-BK** 4-pin, M12 female field-attachable connector
- V1-G-2M-PUR** Cable socket, M12, 4-pin, PUR cable
- V1-W-2M-PUR** Cable socket, M12, 4-pin, PUR cable



Electrical Connection



Wire colors in accordance with EN 60947-5-2

- 1 | BN (brown)
- 2 | WH (white)
- 3 | BU (blue)
- 4 | BK (black)

Date of issue 04/08/2015



1
.1.3



Properties

- 30 mm slot width
- Fast response
- DC, 4-wire switching output
- Cable and connector versions

Technical Data

For detailed data and product description refer to the data sheets at www.pepperl-fuchs.com

General Data

Slot width	30 mm
Depth of immersion (lateral)	27 ... 31 mm
No-load supply current	≤ 20 mA
Reverse polarity protection	✓
Switching frequency	0 ... 150 Hz
Operating current	0 ... 200 mA
Short-circuit protection	pulsing
Ambient temperature	-25 ... 70 °C (-13 ... 158 °F)
Housing material	ABS
Protection degree	IP67

Model Number		SJ30-A	SJ30-A2	SJ30-A0-V1
Switching element function	NPN NO/NC PNP NO/NC	●	●	●
Operating voltage	10 ... 30 V DC 10 ... 65 V DC	●	●	●
Connection type	Device connector M12 x 1 , 4-pin cable PVC , 2 m	●	●	●

Approvals and Certificates

UL approval	cULus Listed, General Purpose	●	●	●
CSA approval	cCSAus Listed, General Purpose	●	●	●
CCC approval	Products with a maximum operating voltage of ≤36 V do not bear a CCC marking because they do not require approval.	●	●	

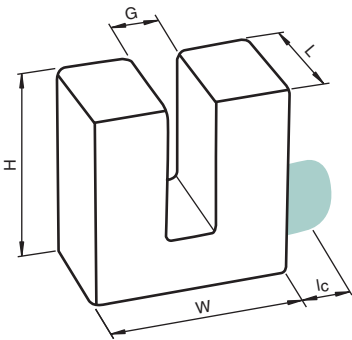
Dimensions

Length L [mm]	51
Width W [mm]	84
Height H [mm]	110
Slot width G [mm]	30
Connector area l _c [mm]	35 (PG13.5) 22

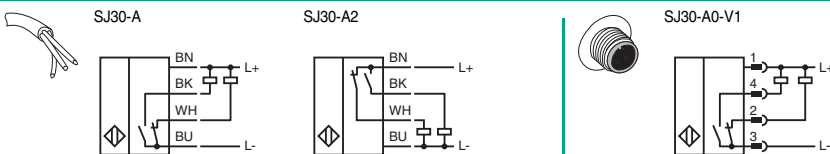
Accessories

This and more accessories can be found in chapter 10
See pages from 972 ... for cordsets See pages 1068 ... for mounting aids

- V1-G-BK** 4-pin, M12 female field-attachable connector
- V1-W-BK** 4-pin, M12 female field-attachable connector
- V1-G-2M-PUR** Cable socket, M12, 4-pin, PUR cable
- V1-W-2M-PUR** Cable socket, M12, 4-pin, PUR cable



Electrical Connection





Technical Data

For detailed data and product description refer to the data sheets at www.pepperl-fuchs.com

General Data

Slot width	15 mm
Depth of immersion (lateral)	18.5 ... 20.5 mm
Operating voltage	20 ... 253 V AC
Switching frequency	0 ... 25 Hz
Operating current	10 ... 500 mA
Ambient temperature	-25 ... 70 °C (-13 ... 158 °F)
Protection degree	IP67
Housing material	PBT
Connection type	cablc PVC , 2 m



Properties

- 15 mm slot width
- Fast response
- AC, 2-wire switching output
- Cable version

Model Number

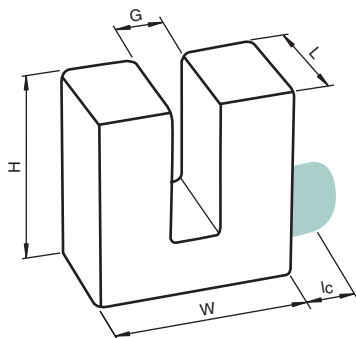
Switching element function	AC	NO	SJ15-WO	SJ15-WS
	AC	NC	●	●

Approvals and Certificates

UL approval	cULus Listed, General Purpose	●	●
CSA approval	cCSAus Listed, General Purpose	●	●
CCC approval	Certified by China Compulsory Certification (CCC)	●	●

Dimensions

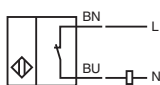
Length L [mm]	30
Width W [mm]	48
Height H [mm]	60
Slot width G [mm]	15
Connector area l _c [mm]	0



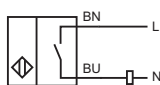
Electrical Connection



SJ15-WO



SJ15-WS



Date of issue 04/08/2015

Refer to "General Notes Relating to Pepperl+Fuchs Product Information".

Pepperl+Fuchs Group
www.pepperl-fuchs.com

USA: +1 330 486 0001
fa-info@us.pepperl-fuchs.com

Germany: +49 621 776 4411
fa-info@de.pepperl-fuchs.com

Singapore: +65 6779 9091
fa-info@sg.pepperl-fuchs.com

Courtesy of Steven Engineering, Inc - (800) 258-9200 - sales@steveneng.com - www.stevenengineering.com

